

[54] ALL-PURPOSE FOOTBALL PLACE KICKING TEE

[76] Inventors: H. Jay Spiegel, 2112 Whiteoaks Dr., Alexandria, Va. 22306; Louis R. Groza, 287 Parkway Dr., Berea, Ohio 44017

[21] Appl. No.: 629,429

[22] Filed: Jul. 10, 1984

Related U.S. Application Data

[63] Continuation-in-part of Ser. No. 546,096, Oct. 27, 1983, abandoned.

[51] Int. Cl.<sup>4</sup> ..... A63B 67/00

[52] U.S. Cl. .... 273/55 B

[58] Field of Search ..... 273/55 B, 202, 203, 273/212; D21/208, 209; D34/5; D7/1

[56] References Cited

U.S. PATENT DOCUMENTS

99,827	5/1936	Scaman	.....	D7/1
175,499	9/1955	Eise	.....	D7/1
231,003	3/1974	Ponder	.....	D21/209
232,203	7/1974	Montgomery	.....	D7/1
266,015	8/1982	Patton	.....	D21/209
4,019,735	4/1977	Thompson	.....	273/55 B
4,537,397	8/1985	Kopp	.....	273/55 B

Primary Examiner—Richard C. Pinkham

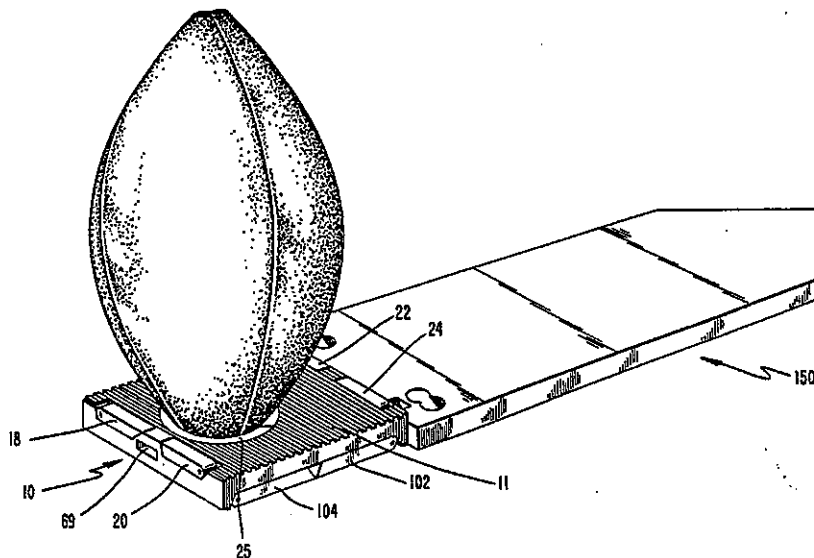
Assistant Examiner—T. Brown

Attorney, Agent, or Firm—H. Jay Spiegel

[57] ABSTRACT

An improved place kicking tee which includes a first side having a recess therein with the configuration similar to that of the end of an oblate spheroidal football, which recess is specifically designed to support a football in an upright position while enabling the football to be kicked out of the recess with substantially no adverse forces being imposed upon the football by the recess. When the tee is flipped over to its opposite face, it may be used as a field goal block with the ball being held thereon by a person's finger or alternatively being supported thereon by foldable leg portions which when not in use fold into the surface thereof. The surface including the recess includes one set of support legs which are pivotally related thereto so that the opposite face may be elevated off the ground at a level of two inches with the legs open and one inch with the legs folded in a closed position. The face without the recess includes two sets of legs and with both sets of legs folded into the surface, the recess supports the ball to simulate kicking off the ground. With one of the sets of legs unfolded, the ball is elevated to the one inch whereas with the other set of legs unfolded, the ball is elevated to the two inch level. A removable arrow may be attached to one end of the tee and this arrow is provided to enable the user thereof to line up the kick with the goal post and to enable the kicker to concentrate on the follow through of the kick.

43 Claims, 22 Drawing Figures



[54] COMBINATION FOOTBALL PLACE KICKING TEE AND PLACE KICKING BLOCK

FOREIGN PATENT DOCUMENTS

1253019 12/1960 France ..... D7/1

[76] Inventor: H. Jay Spiegel, 2112 Whiteoaks Dr., Alexandria, Va. 22306

Primary Examiner—Richard C. Pinkham  
Assistant Examiner—T. Brown  
Attorney, Agent, or Firm—H. Jay Spiegel

[21] Appl. No.: 726,765

[57] ABSTRACT

[22] Filed: Apr. 24, 1985

[51] Int. Cl.<sup>4</sup> ..... A63B 67/00

[52] U.S. Cl. .... 273/55 B

[58] Field of Search ..... 273/55 B, 202, 203, 273/212; D21/208, 209; D7/1, 27

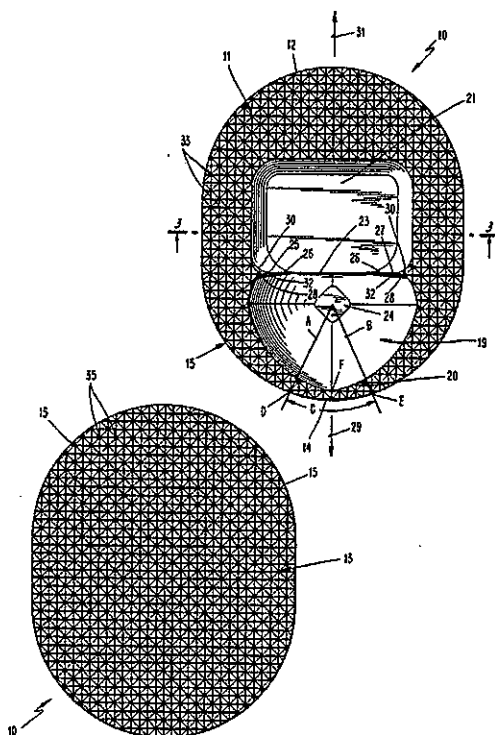
An improved kicking tee is usable in one orientation as a place kicking tee and in another orientation thereof as a kicking block. When used as a kicking tee, the ball is supported within a recess having a configuration conforming to the shape of the end of an oblate spheroidal football. This recess cooperates with a pair of opposed ribs which urge the football through frictional forces into firm engagement with the recess. Adjacent the ribs, a relieved area is provided which enables the tip of the football to be kicked from the recess and from the tee without resistance. When the disclosed tees are flipped over a generally flat surface with small projections extending outwardly therefrom faces upwardly and may be used as a surface on which the ball may be held such that the tee is usable as a kicking block. In at least one embodiment of the present invention, behind the recess, an angled surface is formed. The tee is designed such that the recess is provided closely adjacent the rearwardmost surfaces of the tee. The present invention is usable with equal success by kickers who utilize all kicking styles including the conventional straight-on technique and the "soccer-style" technique.

[56] References Cited

U.S. PATENT DOCUMENTS

99,827	5/1836	Scaman	.....	D7/1
176,252	12/1855	Duncan	.....	D7/27
231,003	3/1874	Ponder	.....	D21/209
232,203	7/1874	Montgomery	.....	D7/27
266,015	8/1882	Patton	.....	D21/209
876,808	1/1908	Kinert	.....	D7/27
1,544,972	7/1925	Gebelein	.....	D7/27
2,294,657	9/1942	Flanagan	.....	D7/27
2,352,684	7/1944	Braddock	.....	D7/27
2,659,604	11/1953	McGowen	.....	273/55 B
3,309,087	3/1969	Cullity	.....	273/55 B
3,481,602	12/1969	Tatter	.....	273/55 B
4,019,735	4/1977	Thompson	.....	273/55 B
4,049,267	9/1977	Forrest	.....	273/55 B
4,537,397	8/1985	Kopp	.....	273/55 B

24 Claims, 16 Drawing Figures



[54] KICKING TEE

[56]

References Cited

U.S. PATENT DOCUMENTS

[75] Inventor: H. Jay Spiegel, Alexandria, Va.

D. 231,003	3/1974	Ponder	.....	D21/209
D. 275,303	8/1984	Box, Sr.	.....	D21/209
4,049,267	9/1977	Forrest	.....	273/55 B

[73] Assignee: Premium Products, Inc., Alexandria, Va.

Primary Examiner—Melvin B. Feifer  
Attorney, Agent, or Firm—H. Jay Spiegel

[\*\*] Term: 14 Years

[57]

CLAIM

The ornamental design for a kicking tee, substantially as shown and described.

[21] Appl. No.: 726,795

DESCRIPTION

[22] Filed: Apr. 24, 1985

FIG. 1 is a top view of a kicking tee showing my new design.

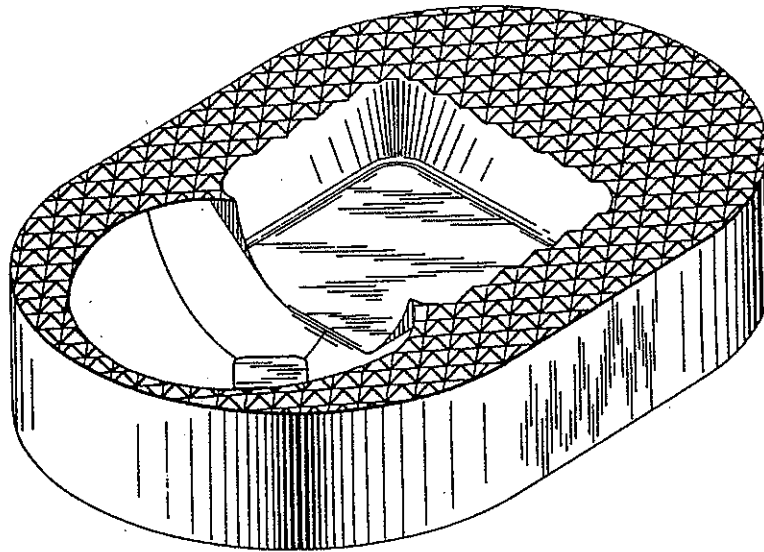
[52] U.S. Cl. .... D21/209

FIG. 2 is a bottom view.

[58] Field of Search ..... D21/209; 273/55 B

FIG. 3 is a perspective view.

FIG. 4 is a perspective view of a modified tee.



# United States Patent [19]

Spiegel

[11] Patent Number: Des. 305,448

[45] Date of Patent: \*\* Jan. 9, 1990

[54] KICKING TEE BASE

[76] Inventor: H. Jay Spiegel, 2112 Whiteoaks Dr.,  
Alexandria, Va. 22306

[\*\*] Term: 14 Years

[21] Appl. No.: 1,110

[22] Filed: Jan. 7, 1987

[52] U.S. Cl. .... D21/209

[58] Field of Search ..... D21/199, 209; 273/55 B

[56] References Cited

### U.S. PATENT DOCUMENTS

D. 173,778	1/1955	Agajanian	.....	D21/209
D. 195,088	4/1963	Box	.....	D21/209
D. 231,002	3/1974	Ponder	.....	D21/209
D. 291,714	9/1987	Spiegel	.....	D21/209
3,309,087	3/1967	Cullity	.....	273/55 B

4,657,252 4/1987 Spiegel ..... 273/55 B

*Primary Examiner*—Charles A. Rademaker

*Assistant Examiner*—Alicia A. Farrell

*Attorney, Agent, or Firm*—H. Jay Spiegel

[57] CLAIM

The ornamental design for a kicking tee base, as shown and described.

### DESCRIPTION

FIG. 1 is a top plan view of a kicking tee base showing my new design;

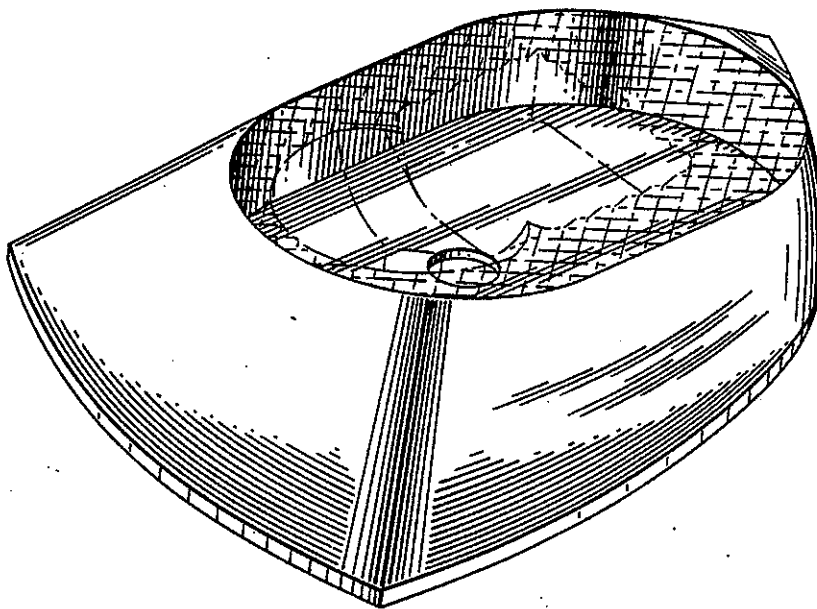
FIG. 2 is a bottom plan view thereof;

FIG. 3 is a side elevational view thereof; the side opposite being a mirror image;

FIG. 4 is a rear elevational view thereof;

FIG. 5 is a front elevational view thereof; and

FIG. 6 is a perspective view thereof with associated kicking tee shown in broken lines.





US00D372062S

# United States Patent [19]

## Spiegel

[11] Patent Number: **Des. 372,062**

[45] Date of Patent: **\*\*Jul. 23, 1996**

[54] **BASE FOR A KICKING TEE**

4,655,453 4/1987 Spiegel et al. .  
4,657,252 4/1987 Spiegel .

[75] Inventor: **H. Jay Spiegel, Alexandria, Va.**

*Primary Examiner*—Terry A. Wallace  
*Assistant Examiner*—Cheri Cohen  
*Attorney, Agent, or Firm*—H. Jay Spiegel

[73] Assignee: **Premium Products, Inc., Alexandria, Va.**

[\*\*] Term: **14 Years**

### [57] CLAIM

[21] Appl. No.: **34,733**

The ornamental design for a base for a kicking tee, as shown and described.

[22] Filed: **Feb. 10, 1995**

[52] U.S. Cl. .... **D21/209**

[58] Field of Search ..... **D21/209; 273/55 B, 273/55 R**

### DESCRIPTION

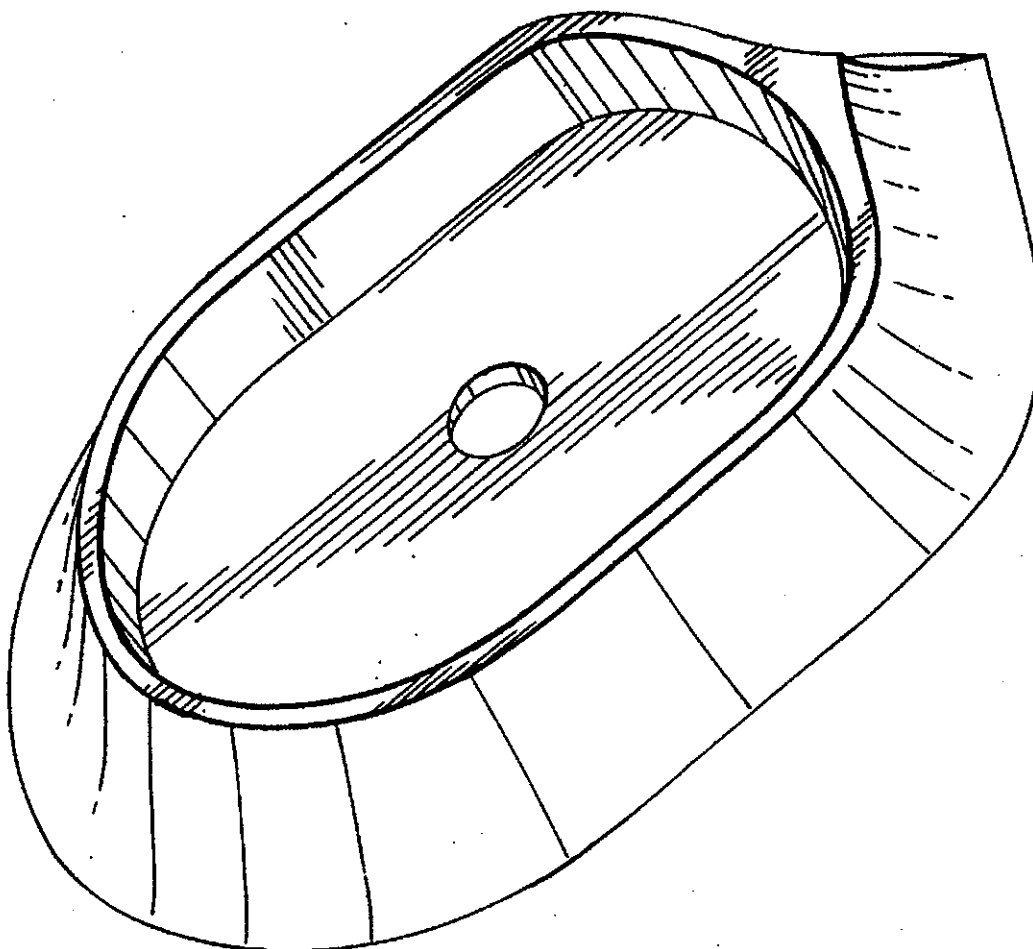
FIG. 1 is a perspective view of a base for a kicking tee showing my new design;  
FIG. 2 is a top plan view thereof;  
FIG. 3 is a bottom plan view thereof;  
FIG. 4 is a side elevation view thereof, the opposite side being a mirror image;  
FIG. 5 is a rear elevation view thereof; and,  
FIG. 6 is a front elevation view thereof.

### [56] References Cited

#### U.S. PATENT DOCUMENTS

D. 195,088	4/1963	Box	.....	D21/209
D. 291,714	9/1987	Spiegel .		
D. 305,448	1/1990	Spiegel .		
3,309,087	3/1967	Cullity	.....	273/55 B
4,537,397	8/1985	Kopp	.....	273/55 B

**1 Claim, 2 Drawing Sheets**





US00D383816S

# United States Patent [19]

[11] Patent Number: **Des. 383,816**

Spiegel

[45] Date of Patent: **\*\*Sep. 16, 1997**

[54] **KICKING TEE**

D. 305,448	1/1990	Spiegel	.....	D21/209
D. 309,168	7/1990	Smith	.....	D21/209
4,049,267	9/1977	Forrest	.....	273/55 B
5,100,135	3/1992	Bourgeois	.....	273/55 B

[76] Inventor: **H. Jay Spiegel, P.O. Box 444, Mount Vernon, Va. 22121**

[\*\*] Term: **14 Years**

### OTHER PUBLICATIONS

[21] Appl. No.: **57,228**

"The Sporting Goods Dealer", Jul. 1981, p. 29, Football kicking tee by Cramer Products, Inc.

[22] Filed: **Jul. 19, 1996**

*Primary Examiner*—Sandra L. Morris

*Assistant Examiner*—Cheri Cohen

*Attorney, Agent, or Firm*—H. Jay Spiegel

### Related U.S. Application Data

[62] Division of Ser. No. 34,733, Feb. 10, 1995, Pat. No. Des. 372,062.

### [57] CLAIM

[51] **LOC (6) Cl.** ..... **21-02**

The ornamental design for a kicking tee, as shown and described.

[52] **U.S. Cl.** ..... **D21/209**

[58] **Field of Search** ..... **D21/209; 273/55 R, 273/55 B**

### DESCRIPTION

FIG. 1 shows a perspective view of my claimed design;

FIG. 2 shows a top view of my claimed design;

FIG. 3 shows a bottom view of my claimed design;

FIG. 4 shows a side view of my claimed design; the opposite side being a mirror image;

FIG. 5 shows a rear view of my claimed design;

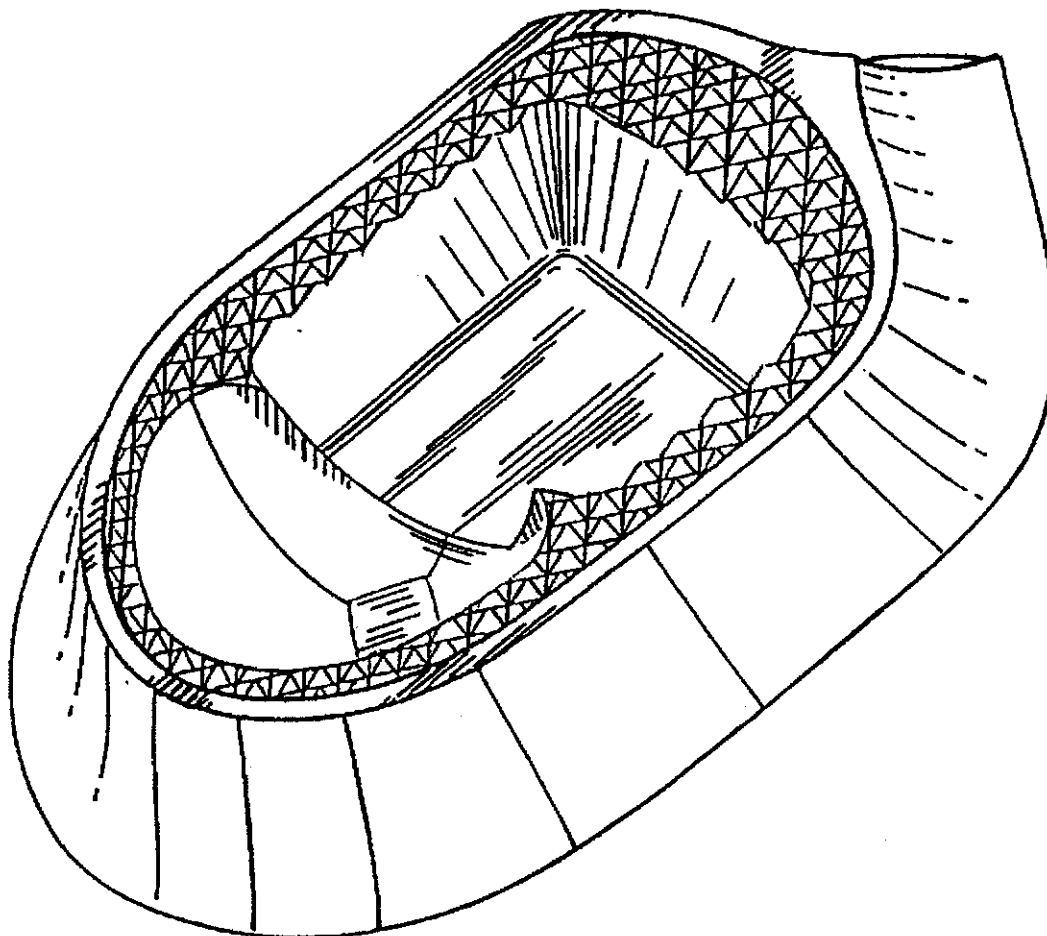
FIG. 6 shows a front view of my claimed design.

### [56] References Cited

#### U.S. PATENT DOCUMENTS

D. 202,433	9/1965	Cullity	.....	D21/209
D. 275,303	8/1984	Box, Sr.	.....	D21/209
D. 277,973	3/1985	Stenerud	.....	D21/209
D. 291,714	9/1987	Spiegel	.....	D21/209

**1 Claim, 2 Drawing Sheets**





US00D383817S

# United States Patent [19]

## Spiegel

[11] Patent Number: **Des. 383,817**

[45] Date of Patent: **\*\*Sep. 16, 1997**

[54] **KICKING TEE**

[76] Inventor: **H. Jay Spiegel, P.O. Box 444, Mount Vernon, Va. 22121**

[\*\*] Term: **14 Years**

[21] Appl. No.: **57,229**

[22] Filed: **Jul. 19, 1996**

### Related U.S. Application Data

[62] Division of Ser. No. 34,733, Feb. 10, 1995, Pat. No. Des. 372,062.

[51] **LOC (6) Cl.** ..... **21-02**

[52] **U.S. Cl.** ..... **D21/209**

[58] **Field of Search** ..... **D21/209; 273/55 R, 273/55 B**

### References Cited

#### U.S. PATENT DOCUMENTS

- D. 202,433 9/1965 Cullity ..... D21/209
- D. 275,303 8/1984 Box, Sr. .... D21/209
- D. 277,973 3/1985 Stenerud ..... D21/209
- D. 291,714 9/1987 Spiegel ..... D21/209

- D. 305,448 1/1990 Spiegel ..... D21/209
- D. 309,168 7/1990 Smith ..... D21/209
- 4,049,267 9/1977 Forrest ..... 273/55 B
- 5,100,135 3/1992 Bourgeois ..... 273/55 B

### OTHER PUBLICATIONS

"The Sporting Goods Dealer." Jul. 1981, p. 29, Football Kicking tee by Cramer Products, Inc.

*Primary Examiner*—Sandra L. Morris  
*Assistant Examiner*—Cheri Cohen  
*Attorney, Agent, or Firm*—H. Jay Spiegel

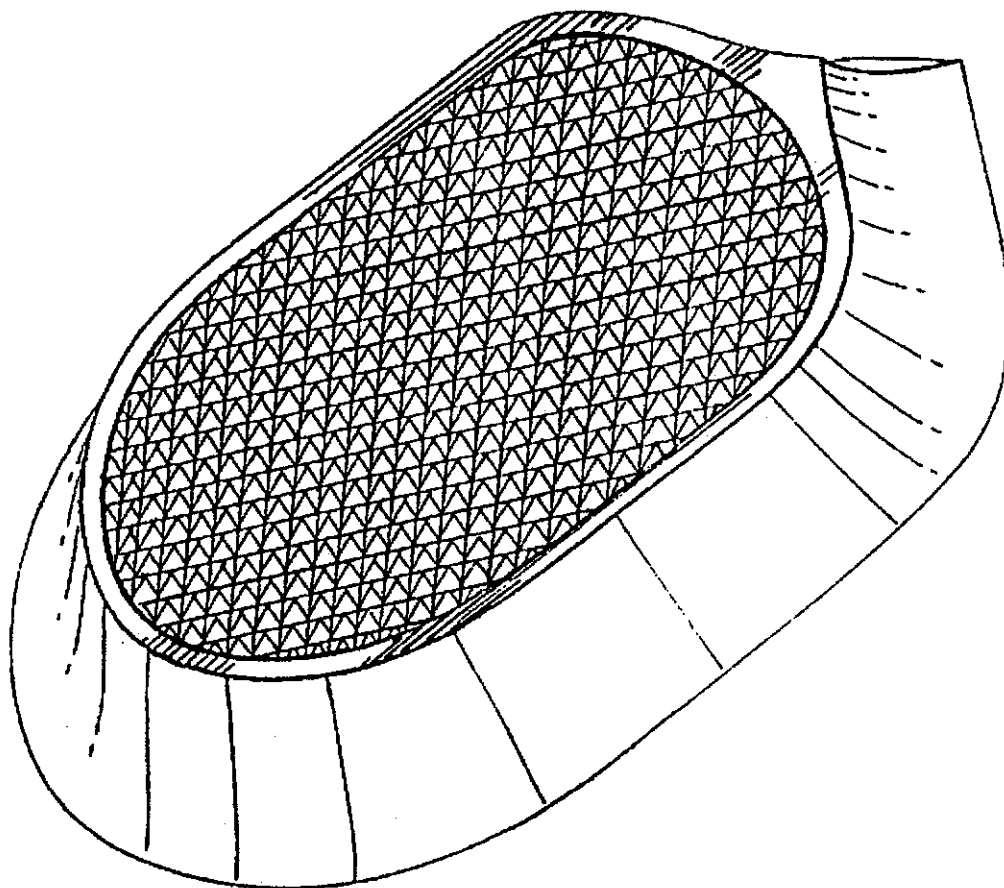
### [57] CLAIM

The ornamental design for a kicking tee, as shown and described.

### DESCRIPTION

FIG. 1 shows a perspective view of my claimed design; FIG. 2 shows a top view of my claimed design; FIG. 3 shows a bottom view of my claimed design; FIG. 4 shows a side view of my claimed design; the opposite side being a mirror image; FIG. 5 shows a rear view of my claimed design; and, FIG. 6 shows a front view of my claimed design.

**1 Claim, 2 Drawing Sheets**





US00D391275S

# United States Patent [19]

[11] Patent Number: Des. 391,275

Spiegel

[45] Date of Patent: \*\*Feb. 24, 1998

[54] **MOLD FOR TEMPORARY FOOTBALL KICKING TEE**

[76] Inventor: **H. Jay Spiegel**, P.O. Box 444, Mount Vernon, Va. 22121

[\*\*] Term: 14 Years

[21] Appl. No.: 66,660

[22] Filed: Feb. 14, 1997

[51] LOC (6) CL ..... 15-09

[52] U.S. Cl. .... D15/135

[58] Field of Search ..... D15/135, 136; 473/420

[56] **References Cited**

**U.S. PATENT DOCUMENTS**

4,657,252 4/1987 Spiegel ..... 473/420

*Primary Examiner*—Antoine Duval Davis  
*Attorney, Agent, or Firm*—H. Jay Spiegel

[57] **CLAIM**

The ornamental design for a mold for temporary football kicking tee, as shown and described.

**DESCRIPTION**

FIG. 1 shows a top, right rear perspective view of my claimed design;

FIG. 2 shows a side view of my claimed design of which the other side is identical;

FIG. 3 shows a front view of my claimed design;

FIG. 4 shows a rear view of my claimed design;

FIG. 5 shows a top view of my claimed design;

FIG. 6 show a bottom view of my claimed design;

FIG. 7 shows a side view of my claimed design showing accessory mold rings attached that increase the height of a finished temporary football kicking tee;

FIG. 8 shows a rear view of my claimed design showing accessory mold rings attached that increase the height of a finished temporary football kicking tee;

FIG. 9 shows a cross-sectional view along the line 9—9 of FIG. 7;

FIG. 10 shows a cross-sectional view along the line 10—10 of FIG. 8;

FIG. 11 shows a top, right rear perspective view of my claimed design;

FIG. 12 shows a side view of my claimed design of which the other side is identical;

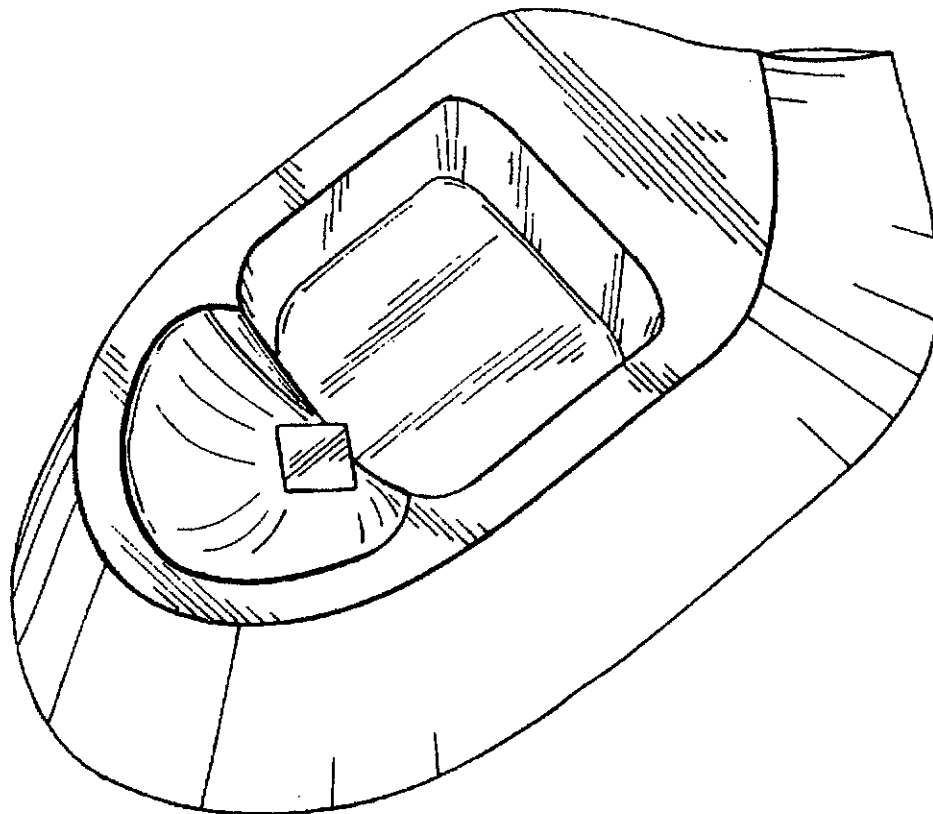
FIG. 13 shows a front view of my claimed design of which the other side is identical;

FIG. 14 shows a top, right rear perspective view of my claimed design;

FIG. 15 shows a side view of my claimed design of which the other side is identical; and,

FIG. 16 shows a front view of my claimed design of which the other side is identical.

1 Claim, 5 Drawing Sheets







US00D392705S

# United States Patent [19] Spiegel

[11] Patent Number: **Des. 392,705**  
[45] Date of Patent: **\*\*Mar. 24, 1998**

[54] **KICKING TEE**

4,655,453 4/1987 Spiegel et al. .  
4,657,252 4/1987 Spiegel .

[75] Inventor: **H. Jay Spiegel, Alexandria, Va.**

### OTHER PUBLICATIONS

[73] Assignee: **Premium Products, Inc., Va.**

Handbook of Designs and Devices by Clarence P. Hornung, 1946, p. 191, FIG. 1711, Shield Design. The Sporting Goods Dealer, Jul. 1981, p. 29, Football Kicking Tee No. 110500.

[\*\*] Term: **14 Years**

[21] Appl. No.: **33,924**

*Primary Examiner*—Ted Shooman  
*Attorney, Agent, or Firm*—H. Jay Spiegel

[22] Filed: **Jan. 24, 1995**

[51] LOC (6) Cl. .... **21-02**

[52] U.S. Cl. .... **D21/209**

[58] Field of Search ..... **D21/209; 273/55 B,  
273/55 R**

### [57] CLAIM

The ornamental design for a kicking tee, as shown and described.

### [56] References Cited

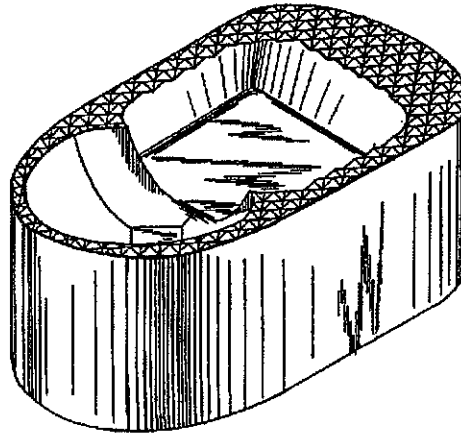
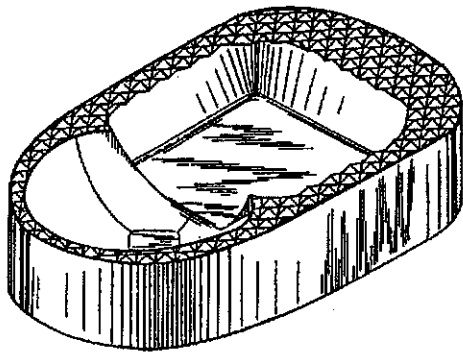
### DESCRIPTION

#### U.S. PATENT DOCUMENTS

D. 195,088	4/1963	Box	.....	D21/209
D. 202,433	9/1965	Callity	.....	D21/209
D. 275,303	8/1984	Box, Sr.	.....	D21/209
D. 291,714	9/1987	Spiegel .		

FIG. 1 is a top view of a kicking tee showing my new design; FIG. 2 is a bottom view; FIG. 3 is a perspective view; and, FIG. 4 is a perspective view of a second alternate embodiment. the only difference residing in the height.

**1 Claim, 2 Drawing Sheets**





US006309316B1

(12) **United States Patent**  
**Spiegel**

(10) **Patent No.:** **US 6,309,316 B1**

(45) **Date of Patent:** **Oct. 30, 2001**

(54) **FOOTBALL TEE WITH ONSIDE KICK BALL SUPPORT**

(75) **Inventor:** H. Jay Spiegel, Mount Vernon, VA (US)

(73) **Assignee:** Premium Products, Inc., VA (US)

(\*) **Notice:** Subject to any disclaimer, the term of this patent is extended or adjusted under 35 U.S.C. 154(b) by 0 days.

D. 383,816	9/1997	Spiegel .	
D. 383,817	9/1997	Spiegel .	
D. 391,275	2/1998	Spiegel .	
D. 392,705	3/1998	Spiegel .	
3,309,087 *	3/1967	Cullity .....	473/420
3,481,602 *	12/1969	Tatter .....	473/420
4,655,453	4/1987	Spiegel et al. .	
4,657,252	4/1987	Spiegel .	
5,100,135 *	3/1992	Bourgeois .....	473/420
5,613,678 *	3/1997	McKee et al. ....	473/397
5,961,402	10/1999	Spiegel .	

\* cited by examiner

*Primary Examiner*—Jeanette Chapman

*Assistant Examiner*—M. Chambers

(74) *Attorney, Agent, or Firm*—H. Jay Spiegel

(21) **Appl. No.:** 09/476,785

(22) **Filed:** Dec. 30, 1999

(51) **Int. Cl.<sup>7</sup>** ..... A63B 71/00; A63B 69/00

(52) **U.S. Cl.** ..... 473/420

(58) **Field of Search** ..... 273/317.5; 473/420, 473/387

(57) **ABSTRACT**

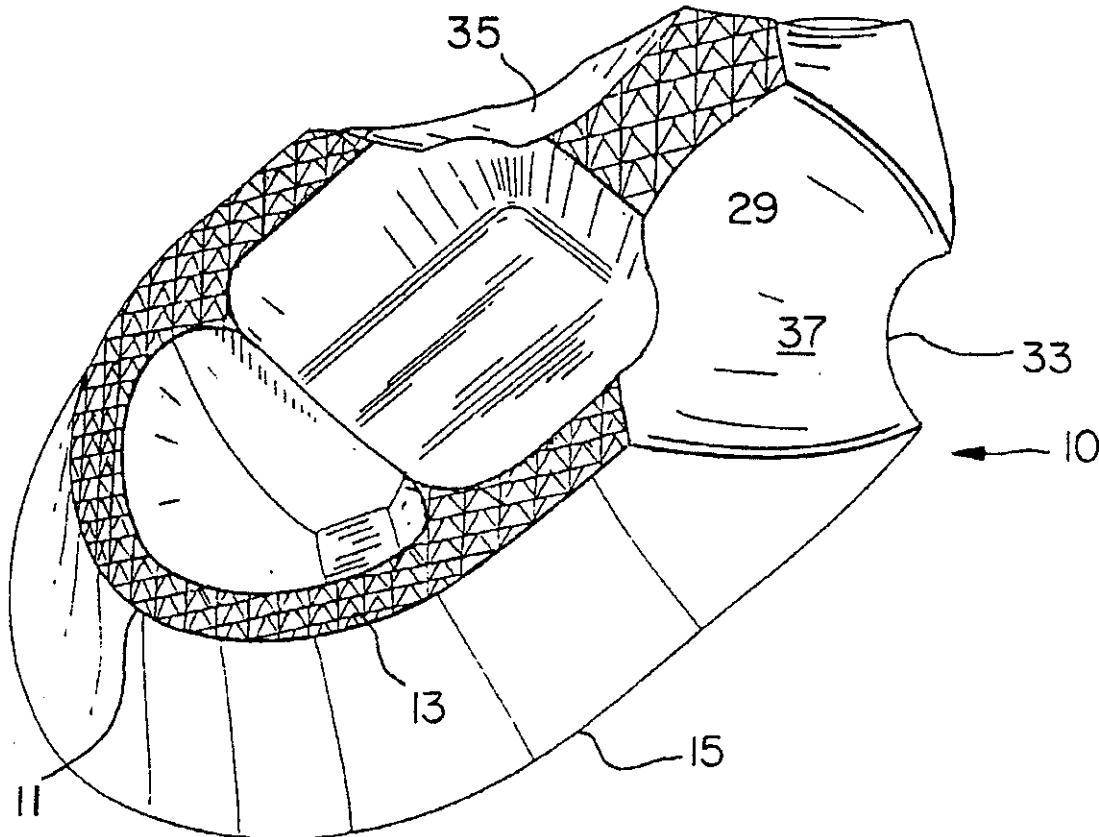
A football tee includes one or two cut-outs in the peripheral surface, each of which is shaped to resemble the outer surface of a football adjacent its tip. Each cut-out is designed to support the football on a ground surface next to the tee to allow a kicker to perform onside kicks. The cut-outs may be formed in a tee having another diverse ball supporting structure or may be the only ball supporting structure of the tee. The tee is preferably molded of rubber or soft plastic.

(56) **References Cited**

**U.S. PATENT DOCUMENTS**

D. 275,303 *	8/1984	Box .....	D21/716
D. 291,714	9/1987	Spiegel .	
D. 305,448	1/1990	Spiegel .	
D. 372,062	7/1996	Spiegel .	

**8 Claims, 3 Drawing Sheets**





US00D489779S

(12) **United States Design Patent**  
**Spiegel**

(10) Patent No.: **US D489,779 S**  
(45) Date of Patent: **\*\* May 11, 2004**

(54) **AMERICAN FOOTBALL PLACEKICKING  
TEE FOR ONSIDE KICKS**

6,309,316 B1 \* 10/2001 Spiegel ..... 473/420

\* cited by examiner

(76) Inventor: **H. Jay Spiegel**, P.O. Box 444, Mount  
Vernon, VA (US) 22121

*Primary Examiner*—Philip S. Hyder

*Assistant Examiner*—C. Tuttle

(\*\*) Term: **14 Years**

(74) *Attorney, Agent, or Firm*—H. Jay Spiegel

(21) Appl. No.: **29/186,150**

(57) **CLAIM**

(22) Filed: **Jul. 11, 2003**

The ornamental design for an American football placekick-  
ing tee for onside kicks, as shown and described.

(51) LOC (7) Cl. .... **21-02**

**DESCRIPTION**

(52) U.S. Cl. .... **D21/716**

(58) Field of Search ..... **D21/715-718,**  
**D21/788; 473/417, 420, 438, 569**

FIG. 1 shows a perspective view of my claimed design;  
FIG. 2 shows a top view of my claimed design;  
FIG. 3 shows a view from the right side of my claimed  
design. The view from the left side is a mirror image;  
FIG. 4 shows a front view of my claimed design;  
FIG. 5 shows a bottom view of my claimed design; and,  
FIG. 6 shows a further perspective view of my claimed  
design, with an American football supported for an onside  
kick shown in phantom.

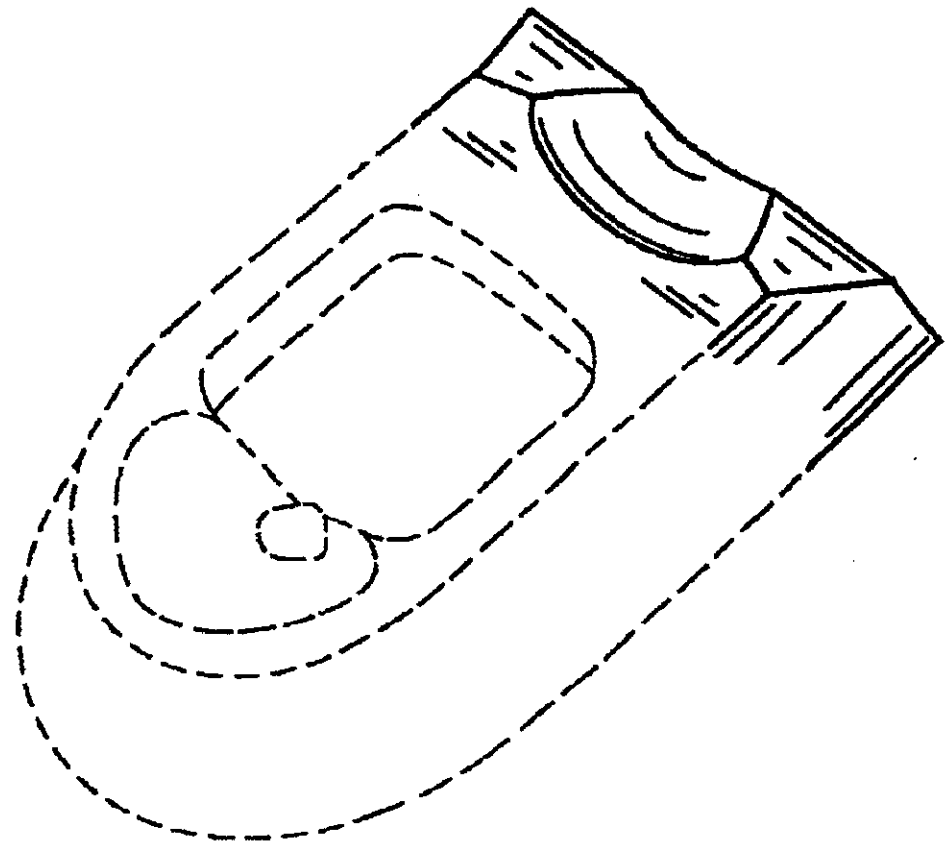
The broken lines showing the American football and por-  
tions of the tee are for illustrative purposes only; and form  
no part of the claimed design.

(56) **References Cited**

**U.S. PATENT DOCUMENTS**

D150,195 S	*	7/1948	Barton	.....	D21/716
2,659,604 A	*	11/1953	McGowen	.....	473/420
D176,029 S	*	11/1955	Martin	.....	D21/716
D231,003 S	*	3/1974	Ponder	.....	D21/716
D291,714 S	*	9/1987	Spiegel	.....	D21/716
5,100,135 A	*	3/1992	Bourgeois	.....	473/420
D392,705 S	*	3/1998	Spiegel	.....	D21/716
5,961,402 A	*	10/1999	Spiegel	.....	473/420

**1 Claim, 3 Drawing Sheets**





US00D507315S

(12) **United States Design Patent** (10) Patent No.: **US D507,315 S**  
**Spiegel** (45) Date of Patent: **\*\* Jul. 12, 2005**

(54) **AMERICAN FOOTBALL PLACEKICKING TEE FOR KICKOFFS AND ONSIDE KICKS**

Primary Examiner—Catherine Tuttle  
(74) Attorney, Agent, or Firm—H. Jay Spiegel

(76) Inventor: **H. Jay Spiegel**, P.O. Box 11, Mount Vernon, VA (US) 22121

(\*\*) Term: **14 Years**

(21) Appl. No.: **29/193,679**

(22) Filed: **Nov. 13, 2003**

(51) LOC (8) Cl. .... **21-02**

(52) U.S. Cl. .... **D21/716**

(58) Field of Search ..... **D21/715-718, D21/788; 473/417, 420, 438, 569**

(56) **References Cited**

**U.S. PATENT DOCUMENTS**

D195,088 S	*	4/1963	Box	.....	D21/716
D231,003 S	*	3/1974	Ponder	.....	D21/716
4,657,252 A	*	4/1987	Spiegel	.....	473/420
D291,714 S	*	9/1987	Spiegel	.....	D21/716
D305,448 S	*	1/1990	Spiegel	.....	D21/716
D383,816 S	*	9/1997	Spiegel	.....	D21/716
D392,705 S	*	3/1998	Spiegel	.....	D21/716
5,961,402 A	*	10/1999	Spiegel	.....	473/420
D445,160 S	*	7/2001	Hueber	.....	D21/794
6,309,316 B1	*	10/2001	Spiegel	.....	473/420
D489,779 S	*	5/2004	Spiegel	.....	D21/716

\* cited by examiner

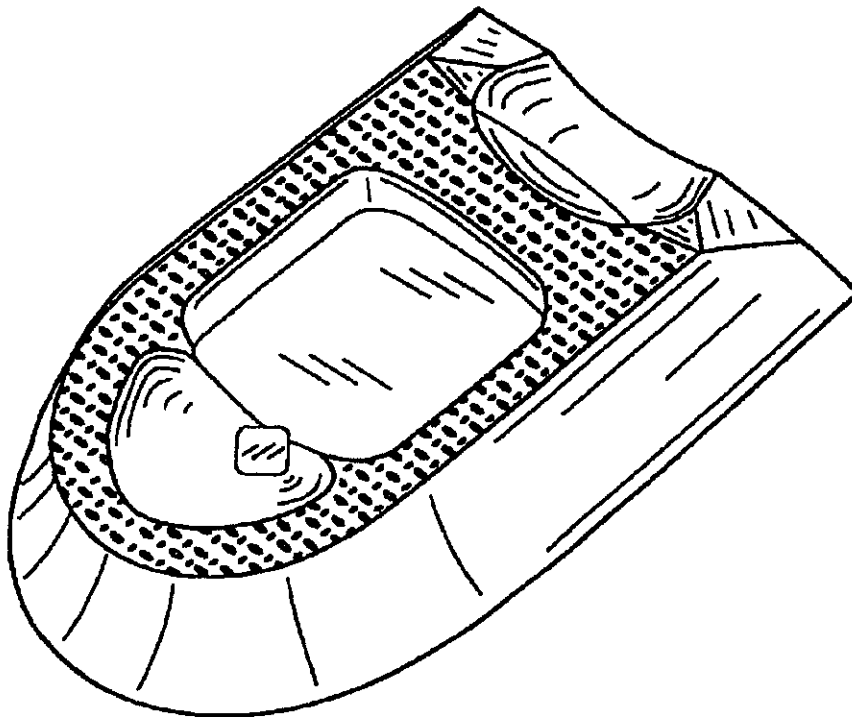
(57) **CLAIM**

The ornamental design for an American football placekicking tee for kickoffs and onside kicks, as shown and described.

**DESCRIPTION**

FIG. 1 shows a perspective view of my claimed design; FIG. 2 shows a top view of my claimed design; FIG. 3 shows a view from the right side of my claimed design. The view from the left side is a mirror image; FIG. 4 shows a front view of my claimed design; FIG. 5 shows a rear view of my claimed design; FIG. 6 shows a bottom view of my claimed design; FIG. 7 shows a further perspective view of my claimed design, with an American football supported for an onside kick shown in phantom. The broken lines showing the American football are for illustrative purposes only; and form no part of the claimed design; and, FIG. 8 shows a further perspective view of my claimed design, with an American football supported for a conventional kickoff shown in phantom. The broken lines showing the American football are for illustrative purposes only; and form no part of the claimed design.

**1 Claim, 5 Drawing Sheets**





US00D507814S

(12) **United States Design Patent**  
**Spiegel**

(10) **Patent No.:** **US D507,814 S**

(45) **Date of Patent:** **\*\* Jul. 26, 2005**

(54) **AMERICAN FOOTBALL PLACEKICKING TEE FOR KICKOFFS AND ONSIDE KICKS**

D489,779 S \* 5/2004 Spiegel ..... D21/716

\* cited by examiner

(76) **Inventor:** **H. Jay Spiegel, P.O. Box 444, Mount Vernon, VA (US) 22121**

*Primary Examiner*—Catherine Tuttle

(74) *Attorney, Agent, or Firm*—H. Jay Spiegel

(\*\*) **Term:** **14 Years**

(57) **CLAIM**

(21) **Appl. No.:** **29/186,018**

The ornamental design for an American football placekicking tee for kickoffs and onside kicks, as shown and described.

(22) **Filed:** **Jul. 9, 2003**

(51) **LOC (8) Cl.** ..... **21-02**

(52) **U.S. Cl.** ..... **D21/716**

(58) **Field of Search** ..... **D21/715-718, D21/788; 473/417, 420, 438, 569**

**DESCRIPTION**

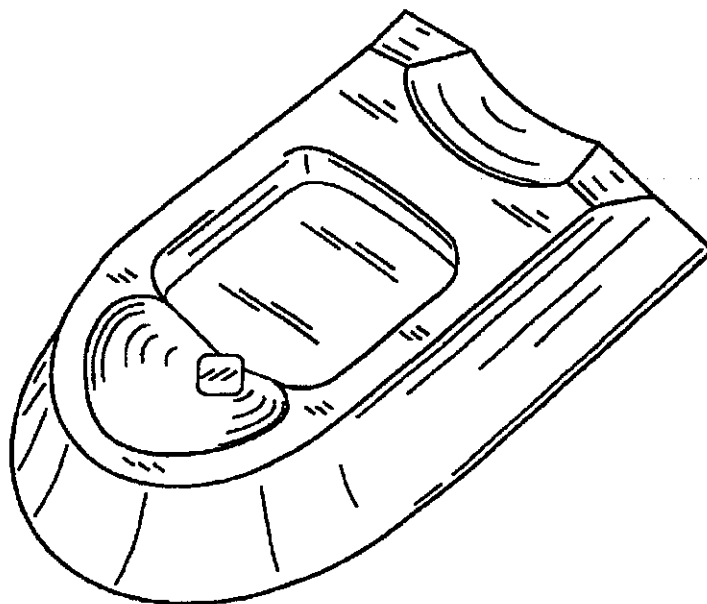
(56) **References Cited**

**U.S. PATENT DOCUMENTS**

D195,088 S	*	4/1963	Box	.....	D21/716
D231,003 S	*	3/1974	Ponder	.....	D21/716
4,655,453 A		4/1987	Spiegel et al.		
4,657,252 A		4/1987	Spiegel		
D291,714 S		9/1987	Spiegel		
D305,448 S		1/1990	Spiegel		
D372,062 S		7/1996	Spiegel		
D383,816 S		9/1997	Spiegel		
D383,817 S		9/1997	Spiegel		
D391,275 S		2/1998	Spiegel		
D392,705 S	*	3/1998	Spiegel	.....	D21/716
5,961,402 A		10/1999	Spiegel		
D445,160 S	*	7/2001	Hueber	.....	D21/794
6,309,316 B1		10/2001	Spiegel		

FIG. 1 shows a perspective view of my claimed design; FIG. 2 shows a top view of my claimed design; FIG. 3 shows a view from the right side of my claimed design. The view from the left side is a mirror image; FIG. 4 shows a rear view of my claimed design; FIG. 5 shows a front view of my claimed design; FIG. 6 shows a bottom view of my claimed design; FIG. 7 shows a further perspective view of my claimed design, with an American football supported for an onside kick shown in phantom. The broken lines showing the American football are for illustrative purposes only; and form no part of the claimed design; and, FIG. 8 shows a further perspective view of my claimed design, with an American football supported for a conventional kickoff shown in phantom. The broken lines showing the American football are for illustrative purposes only; and form no part of the claimed design.

**1 Claim, 5 Drawing Sheets**





US00D513775S

(12) **United States Design Patent**  
**Spiegel**

(10) Patent No.: **US D513,775 S**  
(45) Date of Patent: **\*\* Jan. 24, 2006**

(54) **AMERICAN FOOTBALL PLACEKICKING  
TEE FOR ONSIDE KICKS**

5,961,402 A \* 10/1999 Spiegel ..... 473/420  
D445,160 S \* 7/2001 Hueber ..... D21/794  
6,309,316 B1 \* 10/2001 Spiegel ..... 473/420  
D489,779 S \* 5/2004 Spiegel ..... D21/716

(76) Inventor: **H. Jay Spiegel**, P.O. Box 11, Mount  
Vernon, VA (US) 22121

\* cited by examiner

(\*\*) Term: **14 Years**

*Primary Examiner*—Catherine Tuttle  
(74) *Attorney, Agent, or Firm*—H. Jay Spiegel

(21) Appl. No.: **29/193,678**

(57) **CLAIM**

(22) Filed: **Nov. 13, 2003**

The ornamental design for an American football placekick-  
ing tee for onside kicks, as shown and described.

(51) **LOC (8) Cl.** ..... **21-02**

(52) **U.S. Cl.** ..... **D21/716**

(58) **Field of Classification Search** ..... D21/715-718,  
D21/788; 473/417, 420, 438, 569  
See application file for complete search history.

**DESCRIPTION**

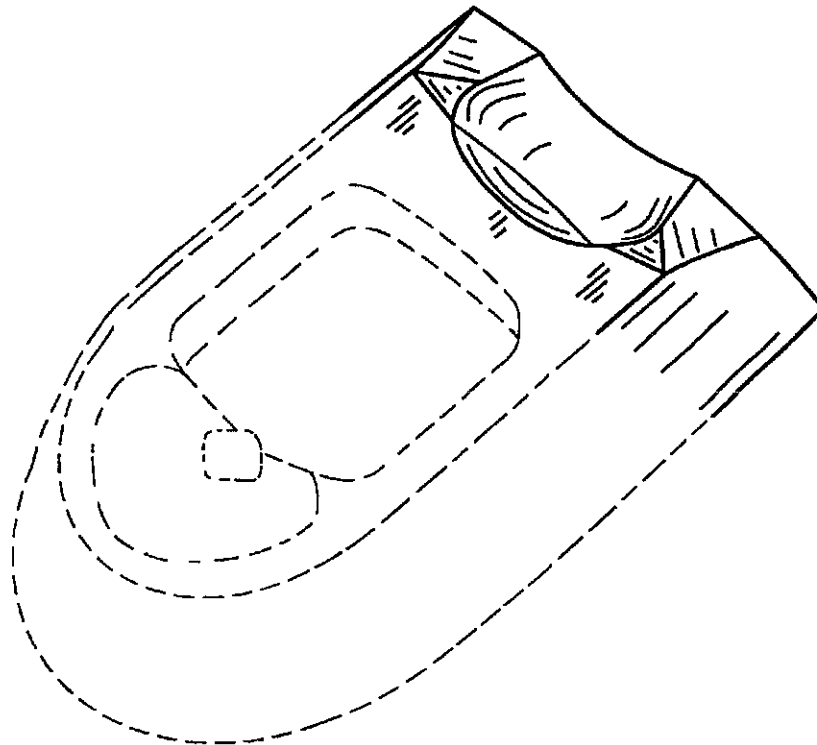
FIG. 1 shows a perspective view of my claimed design;  
FIG. 2 shows a top view of my claimed design;  
FIG. 3 shows a view from the right side of my claimed  
design. The view from the left side is a mirror image;  
FIG. 4 shows a front view of my claimed design;  
FIG. 5 shows a further perspective view of my claimed  
design, with an American football supported for an onside  
kick shown in phantom. The broken lines showing the  
American football are for illustrative purposes only; and  
form no part of the claimed design.

(56) **References Cited**

**U.S. PATENT DOCUMENTS**

D150,195 S \* 7/1948 Barton ..... D21/716  
2,659,604 A \* 11/1953 McGowen ..... 473/420  
D176,029 S \* 11/1955 Martin ..... D21/716  
D231,003 S \* 3/1974 Ponder ..... D21/716  
D291,714 S \* 9/1987 Spiegel ..... D21/716  
5,100,135 A \* 3/1992 Bourgeois ..... 473/420  
D392,705 S \* 3/1998 Spiegel ..... D21/716

**1 Claim, 3 Drawing Sheets**





US007452293B2

(12) **United States Patent**  
**Spiegel**

(10) **Patent No.:** **US 7,452,293 B2**  
(45) **Date of Patent:** **Nov. 18, 2008**

(54) **APPLIANCE FOR CONTROLLABLY ALTERING THE TRAJECTORY OF A KICKED AMERICAN FOOTBALL**

(76) **Inventor:** **H. Jay Spiegel, P.O. Box 11, Mount Vernon, VA (US) 22121**

(\*) **Notice:** Subject to any disclaimer, the term of this patent is extended or adjusted under 35 U.S.C. 154(b) by 584 days.

(21) **Appl. No.:** **10/747,179**

(22) **Filed:** **Dec. 30, 2003**

(65) **Prior Publication Data**  
US 2005/0143197 A1 Jun. 30, 2005

(51) **Int. Cl.**  
**A63B 69/00** (2006.01)  
**A63B 71/00** (2006.01)

(52) **U.S. Cl.** ..... **473/420; 473/422**

(58) **Field of Classification Search** ..... **473/417-420, 473/422**

See application file for complete search history.

(56) **References Cited**

**U.S. PATENT DOCUMENTS**

3,309,087 A *	3/1967	Cullity	473/420
3,481,602 A *	12/1969	Tatter	473/420
D275,303 S *	8/1984	Box, Sr.	D21/716
4,655,453 A *	4/1987	Spiegel et al.	473/420

4,657,252 A *	4/1987	Spiegel	473/420
D305,448 S *	1/1990	Spiegel	D21/716
5,100,135 A *	3/1992	Bourgeois	473/420
D372,062 S *	7/1996	Spiegel	D21/716
5,613,678 A *	3/1997	McKee et al.	473/397
D383,817 S *	9/1997	Spiegel	D21/716
D391,275 S *	2/1998	Spiegel	D15/135
D392,705 S *	3/1998	Spiegel	D21/716
5,961,402 A *	10/1999	Spiegel	473/420
6,309,316 B1 *	10/2001	Spiegel	473/420
D489,779 S *	5/2004	Spiegel	D21/716

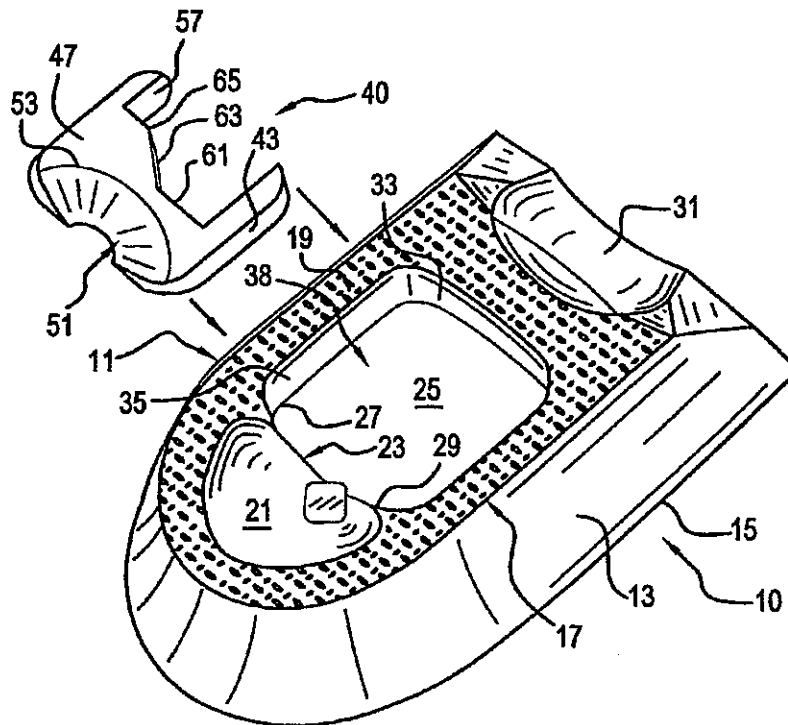
\* cited by examiner

*Primary Examiner*—Mitra Aryanpour  
(74) *Attorney, Agent, or Firm*—H. Jay Spiegel

(57) **ABSTRACT**

A device for controllably altering trajectory of a kicked football includes a member removably insertable in a recess of a tee. The device is used in any one of three ways. First, it may be placed within the forward recess of the tee to combine with the ball receiving recess to completely enclose the tip of the football about its periphery. Second, a protrusion of the device may be placed in front of and slightly to the right of the centerline of the football. After the football is kicked, the tip of the football strikes this protrusion, causing the football to be deflected and to hook to the left. Third, the projection is in front of and slightly to the left of the centerline of the football. After the football is kicked, the tip strikes the projection, causing the ball to travel slightly to the right.

**30 Claims, 4 Drawing Sheets**





US00D664221S

(12) **United States Design Patent**  
**Spiegel**

(10) **Patent No.:** **US D664,221 S**  
(45) **Date of Patent:** **\*\* Jul. 24, 2012**

- (54) **FOOTBALL TEE**
- (75) **Inventor:** **H. Jay Spiegel**, Mount Vernon, VA (US)
- (73) **Assignee:** **Premium Products, Inc.**
- (\*\*) **Term:** **14 Years**
- (21) **Appl. No.:** **29/371,646**
- (22) **Filed:** **Jun. 23, 2011**
- (51) **LOC (9) Cl.** ..... **21-02**
- (52) **U.S. Cl.** ..... **D21/716**
- (58) **Field of Classification Search** ..... **D21/715-717,**  
**D21/788; D30/147-149; 473/417-420,**  
**473/438, 569; 168/26-28, DIG. 2**  
 See application file for complete search history.

(56) **References Cited**

**U.S. PATENT DOCUMENTS**

39,926	A *	9/1863	Howe	168/28
D29,580	S *	11/1898	Whitaker	D30/149
D29,581	S *	11/1898	Whitaker	D30/149
D30,731	S *	5/1899	Whitaker	D30/149
719,162	A *	1/1903	Tappe	168/28
733,656	A *	7/1903	Kent	168/28
4,655,453	A *	4/1987	Spiegel et al.	473/420
4,657,252	A *	4/1987	Spiegel	473/420
6,309,316	B1 *	10/2001	Spiegel	473/420
D507,315	S *	7/2005	Spiegel	D21/716
D507,814	S *	7/2005	Spiegel	D21/716
7,452,293	B2 *	11/2008	Spiegel	473/420

\* cited by examiner

*Primary Examiner* — Catherine Tuttle

(74) *Attorney, Agent, or Firm* — H. Jay Spiegel

(57) **CLAIM**

The ornamental design for a football tee, as shown and described.

**DESCRIPTION**

FIG. 1 shows a perspective view of a first embodiment of my claimed design.  
 FIG. 2 shows a top view of my claimed design.  
 FIG. 3 shows a right side view of my claimed design, the left side view being a mirror image thereof;  
 FIG. 4 shows a front view of my claimed design.  
 FIG. 5 shows a rear view of my claimed design.  
 FIG. 6 shows a bottom view of my claimed design.  
 FIG. 7 shows a perspective view of a second embodiment of my claimed design, wherein the side, front, rear and bottom views are the same as in the first embodiment; and,  
 FIG. 8 shows a top view of the second embodiment of my claimed design.

The difference between the embodiment of FIGS. 1 and 2 on the one hand, and the embodiment of FIGS. 7 and 8 on the other hand is as follows: With reference to FIG. 2, the lower recess has a scalloped surface surrounding an opening with the scalloped surface including a plurality of apices consisting of arcuate lines. In the embodiment of FIGS. 7 and 8, the apices are not arcuate lines. Rather, they are thin, arcuate bands.

The broken lines are included in FIG. 6 for the purpose of illustrating a portion of the football tee that forms no part of the claimed design.

**1 Claim, 4 Drawing Sheets**

